



Ruger Industries, Inc.
204 Deeds Dr.
Dover, OH 44622
Phone: 330-602-7970
800-257-8437
Fax: 330-343-8798
www.rugerequipment.com

EASY TO USE**COMPACT****AFFORDABLE****ECONOMICAL**

10STW

- 1000 lb. Capacity
- Compact design turns within its own length
- 75" of lift height
- 18" load center
- Manual winch with automatic brake

ACCESSORIES

- Boom Attachment
- Barrel Grip
- Platform Assembly
- Rug Pole
- Steel Wheels
- Polyurethane Wheels
- Power Hoist

STANDARD FEATURES

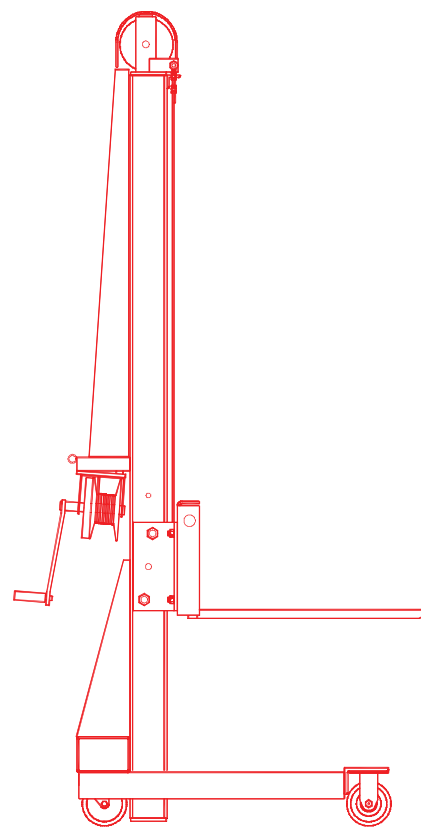
- Meets Ruger's engineering standards of 150% structural overload of maximum rated capacity
- A heavy duty cable
- Adjustable forks
- Phenolic resin wheels with roller bearings
- Fork dimensions- 26" long / 1 1/4" thick / 4" wide
- Manual winch with automatic brake for smooth and safe operation

Prices, Specifications, and Options are subject to Change Without Notice.

All Ruger products are shipped F.O.B.,
Dover, Ohio 44622, Ship. Wt. 445 lbs
USA-NMFC # 189240 - Class 85

FAX: 330-343-8798

E-mail: lift@rugerequipment.com



The 10STW is not only economical to purchase, but easy to use and maintain. This economy straddle stacker lift truck has a 1000 lb. lifting capacity, a 75 inch lift height and an 13 inch load center.



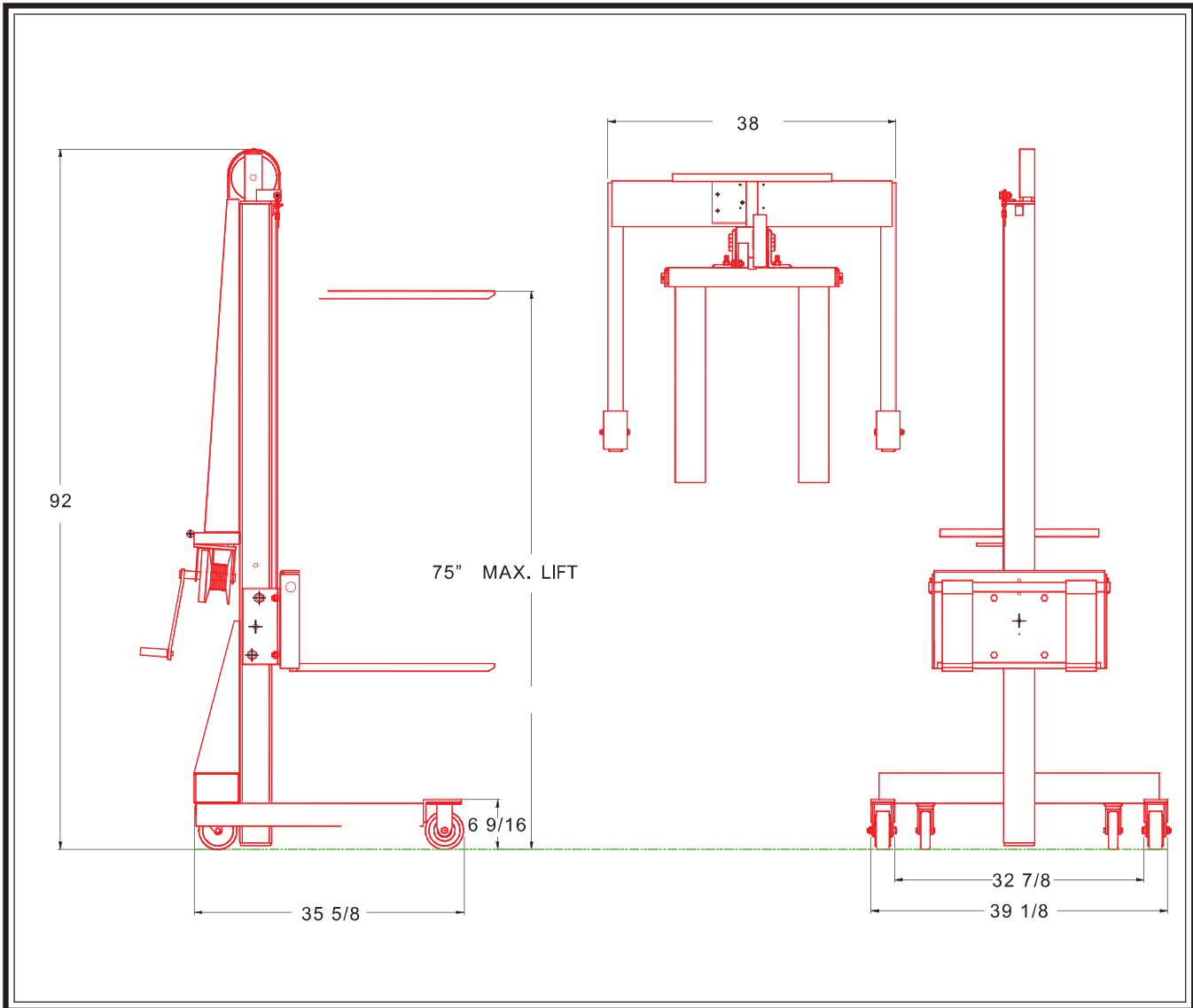
Ruger Industries, Inc.
204 Deeds Dr.
Dover, OH 44622
Phone: 330-602-7970
800-257-8437
Fax: 330-343-8798
www.rugerequipment.com

EASY TO USE

COMPACT

AFFORDABLE

ECONOMICAL



NOTE: Ruger can modify any standard dimensions to meet specific customer needs.