

David Round, Inc.  
Ruger Division  
10200 Wellman Road  
Streetsboro, OH 44241  
Phone: 330-656-1600  
Fax: 330-656-1601  
www.rugerindustries.com

ADJUSTABLE

VERSATILE

FLEXIBLE

AFFORDABLE

## HP-2000A

- **2000 lb. Capacity**
- **Adjustable legs-open wide to accomodate big loads**

### ACCESSORIES

- **Floor Lock**
- **Phenolic, Polyurethane Wheels**
- **Power-Pak**

### STANDARD FEATURES

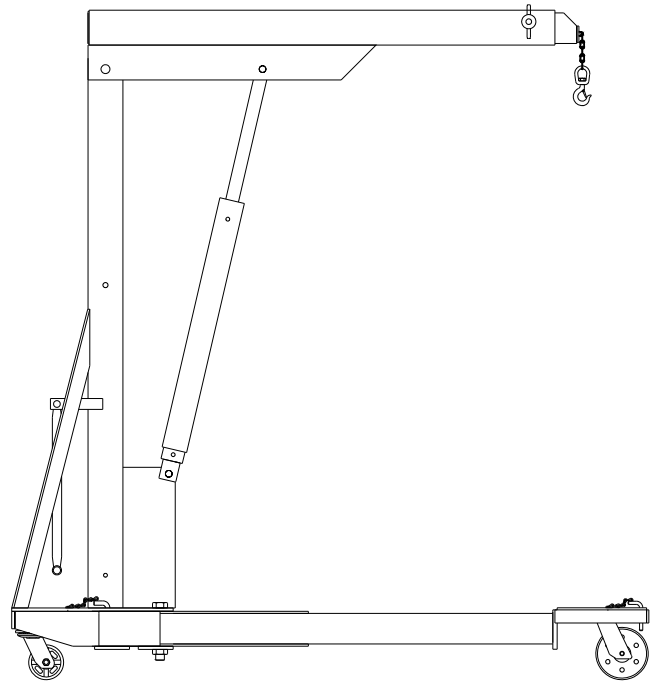
- Meets Ruger's engineering standards of 150% structural overload of maximum rated capacity
- Adjustable legs to straddle large oversized loads
- Double action hand pump for quicker and easier lift
- Built-in hydraulic overload relief valve (An original Ruger patent)
- Needle type release valve permits pin-point control over lowering and holding of the heaviest or lightest loads
- Steel casters with roller bearing wheels
- Chain with swivel hook and safety latch to support heavy loads

Prices, Specifications, and Options are subject to Change Without Notice.

All Ruger products are shipped F.O.B. Streetsboro, Ohio 44241

FAX: 330-656-1601

E-mail: [info@davidround.com](mailto:info@davidround.com)



The HP2000A is designed and engineered to easily accomodate oversized loads.

Tested and exceeds ANSI/ASME PALD standards.  
Meets ANSI Z.535



David Round, Inc.  
 Ruger Division  
 10200 Wellman Road  
 Streetsboro, OH 44241  
 Phone: 330-656-1600  
 www.rugerindustries.com

ADJUSTABLE

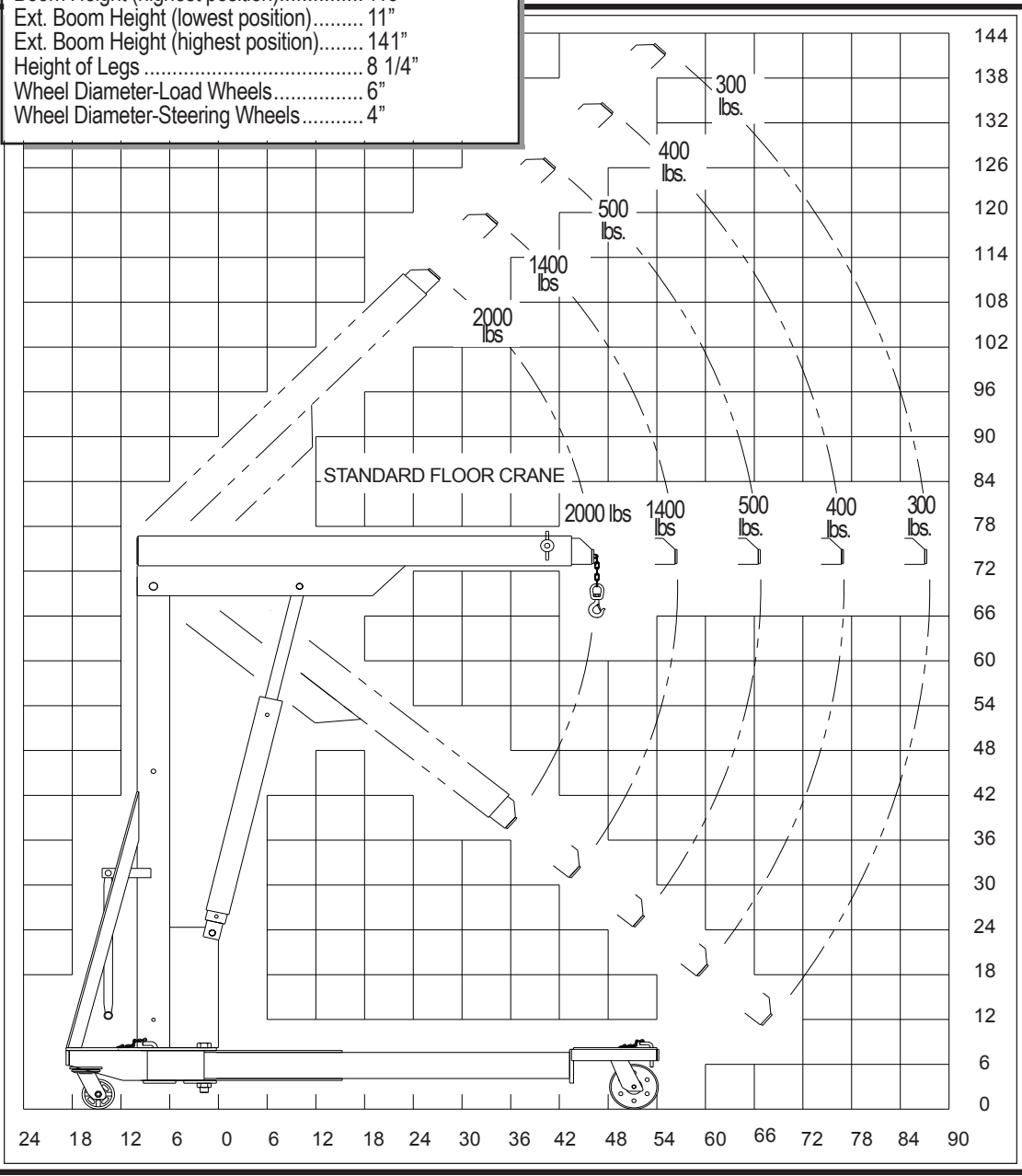
VERSATILE

FLEXIBLE

AFFORDABLE

# MODEL: HP-2000A

Model .....	HP-2000A
Max. Capacity .....	2000 lbs
Overall Base Length .....	73"
Overall Width .....	35"-53"-65"
Overall Height .....	78"
Width Between Legs .....	22"-36"-48"
Boom Reach Retracted .....	46 1/2"
Boom Reach Extended .....	87 1/2"
Boom Height (lowest position) .....	27"
Boom Height (highest position) .....	119"
Ext. Boom Height (lowest position) .....	11"
Ext. Boom Height (highest position) .....	141"
Height of Legs .....	8 1/4"
Wheel Diameter-Load Wheels .....	6"
Wheel Diameter-Steering Wheels .....	4"



NOTE:  
 Ruger can modify any  
 standard dimensions to  
 meet specific customer  
 needs.