



David Round & Son, Inc.
Ruger Division
10200 Wellman Road
Streetsboro, OH 44241
Phone: 330-656-1600
Fax: 330-656-1601
info@davidround.com
www.rugerindustries.com

VERSATILE

COMPACT

AFFORDABLE

DEPENDABLE

HP-1/4

- **500 lb. Capacity**
- **Built to work in close quarters**

ACCESSORIES

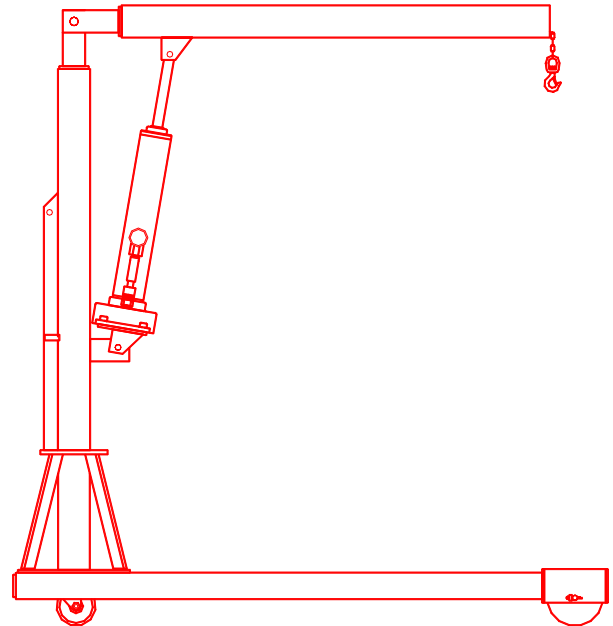
- **Floor Lock**

STANDARD FEATURES

- Meets Ruger's structural engineering standards for 150% of normal lifting capacity
- Completely self-contained hydraulic system with single action jack
- Specially designed release valve insures control when lowering heaviest or lightest loads
- Adjustable telescopic boom
- Standard wheels are steel with ball bearing swivel casters
- Swivel hook with safety latch and chain to support heavy loads

Prices, Specifications, and Options are subject to Change Without Notice.

Ruger products are shipped F.O.B. Streetsboro, OH 44241
FAX: 330-656-1601
Email: info@davidround.com



The HP-1/4 is built compact for easy maneuvering of lighter loads.

Tested and exceeds ANSI/ASME PALD standards.

Meets ANSI Z.535



David Round & Son, Inc.
 Ruger Division
 10200 Wellman Road
 Streetsboro, OH 44241
 Phone: 330-656-1600
 Fax: 330-656-1601
 info@davidround.com
 www.rugerindustries.com

VERSATILE

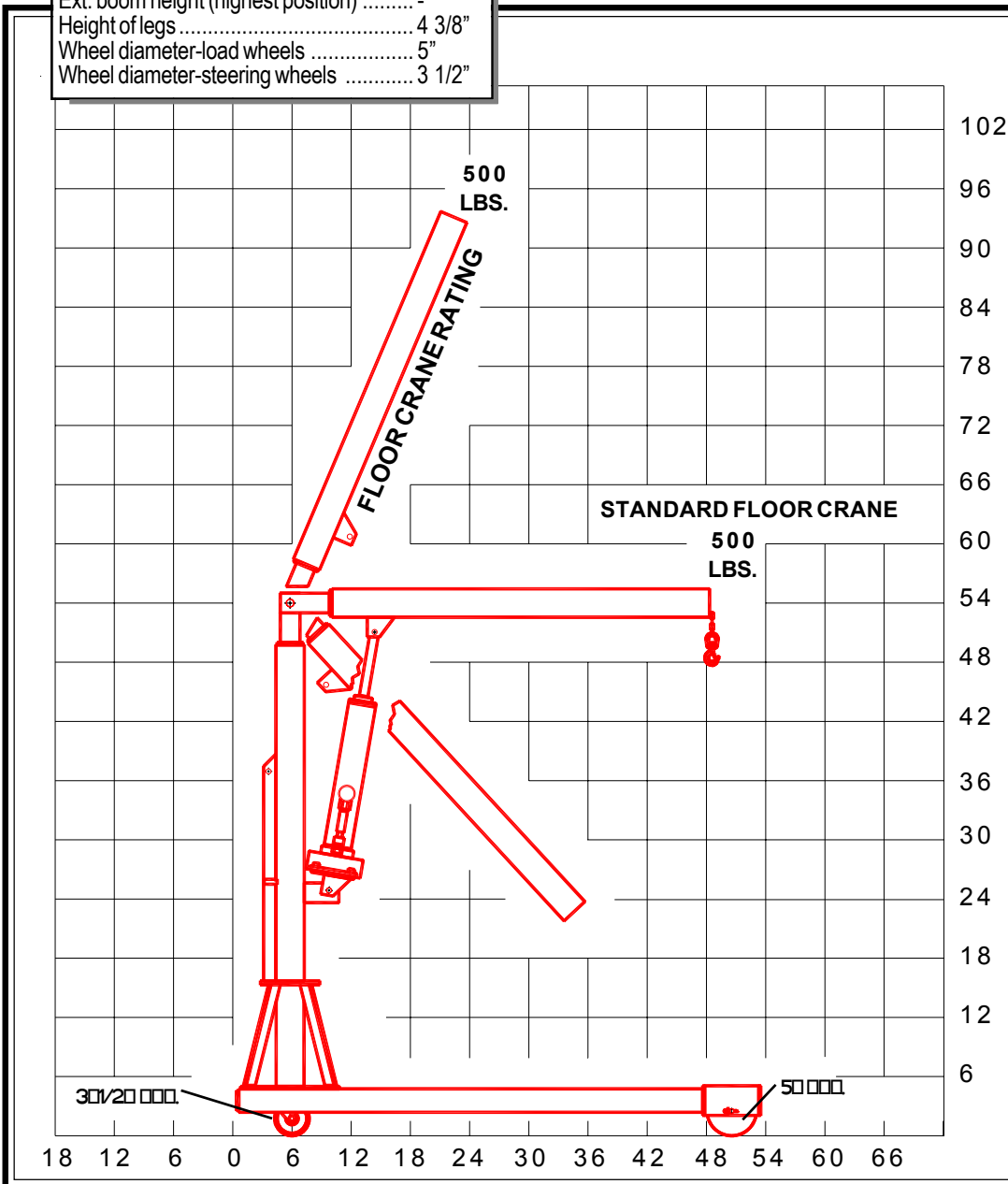
COMPACT

AFFORDABLE

DEPENDABLE

Model	HP-1/4
Capacity	500 lbs
Overall base length	53"
Overall width	30 1/2"
Overall height	54 1/2"
Width between legs	24"
Overall boom length	42 1/2"
Max. O.A. boom length with extension ...	-
Boom height (lowest position)	21 1/2"
Boom height (highest position)	91 1/2"
Ext. boom height (lowest position)	-
Ext. boom height (highest position)	-
Height of legs	4 3/8"
Wheel diameter-load wheels	5"
Wheel diameter-steering wheels	3 1/2"

MODEL: HP-1/4



NOTE:
 Ruger can modify
 any standard
 dimensions
 to meet specific
 customer needs.