

M55 Series

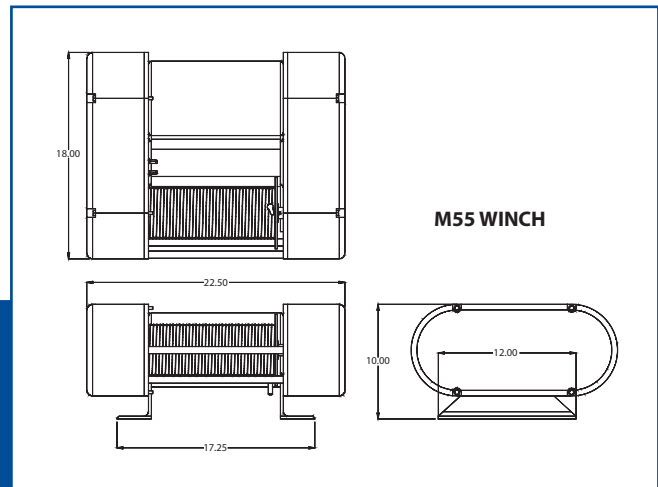
High-speed winch ideal for base-mounted lifting applications

Efficient spur gearing powers line speeds up to 100 feet per minute with single line load capacities up to 1,000 pounds.

The grooved drum ensures consistent rope take-up and precise load placement while accepting up to 175 feet of 1/4 inch diameter wire rope.

With a standard electric motor brake, mechanical load brake and push-button controls, this winch is ideal for lifting applications.

Limit switches, emergency hand cranks and drum divider flanges are available.



Technical Specifications

	Model No.	Load Capacity (lbs.)	Line Speed (ft./min.)	Drum Capacity		Weight (lbs.)
				Rope Size (in.)	Length (ft.)	
ELECTRIC	4W	500	70	1/4	175	130
	5W	500	100	1/4	175	140
	8W	1,000	35	1/4	175	145
	10W	1,000	50	1/4	175	145
AIR	A3W	500	70	1/4	175	130
	A8W	1,000	35	1/4	175	145

Information on other models available from a David Round representative.